

# QUAKER WINDOW PRODUCTS

## SERIES 340 (E700) FIXED WINDOW (WZ4)(IMPACT)



504 HIGHWAY 63 SOUTH  
FREEBURG, MO 65582  
PH: (651) 264-5150 FX: (651) 264-5485

### INSTALLATION NOTES:

- ONE (1) INSTALLATION ANCHOR IS REQUIRED AT EACH ANCHOR LOCATION SHOWN, UNLESS OTHERWISE STATED.
- THE NUMBER OF INSTALLATION ANCHORS DEPICTED IS THE MINIMUM NUMBER OF ANCHORS TO BE USED FOR PRODUCT INSTALLATION.
- INSTALL INDIVIDUAL INSTALLATION ANCHORS WITHIN A TOLERANCE OF  $\pm 1/16$  INCH OF THE DEPICTED LOCATION IN THE ANCHOR LAYOUT DETAIL (I.E., WITHOUT CONSIDERATION OF TOLERANCES). TOLERANCES ARE NOT CUMULATIVE FROM ONE INSTALLATION ANCHOR TO THE NEXT.
- SHIM AS REQUIRED IN ORDER TO ACHIEVE SQUARE AND PLUMB WITH LOAD BEARING SHIM(S). MAXIMUM ALLOWABLE SHIM STACK TO BE 1/4 INCH. SHIM WHERE SPACE OF 1/16 INCH OR GREATER OCCURS. SHIM(S) SHALL BE CONSTRUCTED OF HIGH DENSITY PLASTIC OR BETTER.
- FOR INSTALLATION INTO 2X WOOD BUCK OR FRAMING, USE ONE #10 WOOD SCREW, TYPE INSTALLATION ANCHOR PER LOCATION OF SUFFICIENT LENGTH TO ACHIEVE A MINIMUM 1 1/2" EMBEDMENT.
- FOR INSTALLATION INTO METAL STUD, USE ONE #10 SELF-DRILLING SCREW, TYPE INSTALLATION ANCHOR PER LOCATION OF SUFFICIENT LENGTH TO ACHIEVE MINIMUM PENETRATION OF 3 THREADS BEYOND METAL STRUCTURE.
- MINIMUM EMBEDMENT AND EDGE DISTANCE EXCLUDE WALL FINISHES, INCLUDING BUT NOT LIMITED TO STUCCO, FOAM, BRICK VENEER, AND SIDING.
- INSTALLATION ANCHORS AND ASSOCIATED HARDWARE MUST BE MADE OF CORROSION RESISTANT MATERIAL OR HAVE A CORROSION RESISTANT COATING.
- INSTALLATION ANCHORS SHALL BE INSTALLED IN ACCORDANCE WITH ANCHOR MANUFACTURER'S INSTALLATION INSTRUCTIONS, AND ANCHORS SHALL NOT BE USED IN SUBSTRATES WITH STRENGTHS LESS THAN THE MINIMUM STRENGTH SPECIFIED BY THE ANCHOR MANUFACTURER.
- INSTALLATION ANCHOR CAPACITIES FOR PRODUCTS HEREIN ARE BASED ON SUBSTRATE MATERIALS WITH THE FOLLOWING PROPERTIES:
  - STEEL - MIN. TENSILE YIELD STRENGTH OF 33 KSI. MIN. 18 GAUGE THICKNESS (0.0478"). WOOD - MINIMUM SPECIFIC GRAVITY = 0.55
  - ALUMINUM - MIN. 6063-T5, MIN 1/8" WALL THICKNESS.

### GENERAL NOTES:

- THE PRODUCT SHOWN HEREIN IS DESIGNED AND MANUFACTURED TO COMPLY WITH THE CURRENT FLORIDA BUILDING CODE, **EXCLUDING** HVHZ, AND HAS BEEN EVALUATED TO THE FOLLOWING:
  - AAMA/WDMA/CSA 101/I.S.2/A440-11
  - AAMA 450-10
  - ASTM E1886-13a
  - ASTM E1996-14a
- ADEQUACY OF THE EXISTING STRUCTURAL 2X WOOD FRAMING OR METAL STUD FRAMING AS A MAIN WIND FORCE RESISTING SYSTEM CAPABLE OF WITHSTANDING AND TRANSFERRING APPLIED PRODUCT LOADS TO THE FOUNDATION IS THE RESPONSIBILITY OF THE ENGINEER OR ARCHITECT OF RECORD FOR THE PROJECT OF INSTALLATION.
- THE INSTALLATION DETAILS DESCRIBED HEREIN ARE GENERIC AND MAY NOT REFLECT ACTUAL CONDITIONS FOR A SPECIFIC SITE. IF SITE CONDITIONS CAUSE INSTALLATION TO DEVIATE FROM THE REQUIREMENTS DETAILED HEREIN, A LICENSED ENGINEER OR ARCHITECT SHALL PREPARE SITE SPECIFIC DOCUMENTS FOR USE WITH THIS DOCUMENT IN NON-HVHZ AREA.
- APPROVED IMPACT PROTECTIVE SYSTEM **IS NOT REQUIRED** TO PROTECT THIS PRODUCT IN AREAS REQUIRING IMPACT RESISTANCE IN WIND ZONE 4 OR LESS.
- GLAZING MEETS ASTM E1300 REQUIREMENTS, SEE SHEET 3 FOR GLAZING DETAIL.
- FRAME MATERIAL: 6063-T6 ALUMINUM
- CONFIGURATIONS:
  - O - FIXED

TABLE OF CONTENTS	
SHEET	SHEET DESCRIPTION
1	INSTALLATION AND GENERAL NOTES
2	ELEVATION & ANCHOR LAYOUTS
3	VERTICAL SECTIONS AND GLAZING DETAIL
4	HORIZONTAL SECTIONS
5	BILL OF MATERIALS & COMPONENTS

MAX. DESIGN PRESSURE RATING	
+50.0 / -50.0 PSF	LARGE & SMALL MISSILE IMPACT RATED

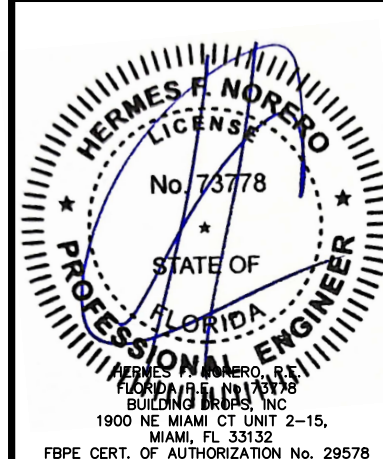
TITLE: SERIES 340 (E700) FIXED WINDOW (WZ4)(IMPACT) INSTALLATION AND GENERAL NOTES

PREPARED BY: BUILDING DROPS, INC.  
1900 NE Miami Ct Unit 2-15, Miami, FL 33132  
PH: (954) 399-8478 FAX: (954) 744-4738  
WEB: www.buildingdrops.com



REMARKS	BY	DATE
6TH ED. FBC UPDATE	HR	06/17
7TH ED. FBC UPDATE	LL	01/21
8TH ED. FBC UPDATE	FB	12/23

THE INSTALLATION DETAILS DESCRIBED HEREIN ARE GENERIC AND MAY NOT REFLECT ACTUAL CONDITIONS FOR A SPECIFIC SITE. IF SITE CONDITIONS CAUSE INSTALLATION TO DEVIATE FROM THE REQUIREMENTS DETAILED HEREIN, A LICENSED ENGINEER OR ARCHITECT SHALL PREPARE SITE SPECIFIC DOCUMENTS FOR USE WITH THIS DOCUMENT.



FL #: **FL15857**

DATE: **07.17.12**

DWG. BY: **MSS** CHK. BY: **HFN**

SCALE: **NTS**

DWG. #: **QWP018**

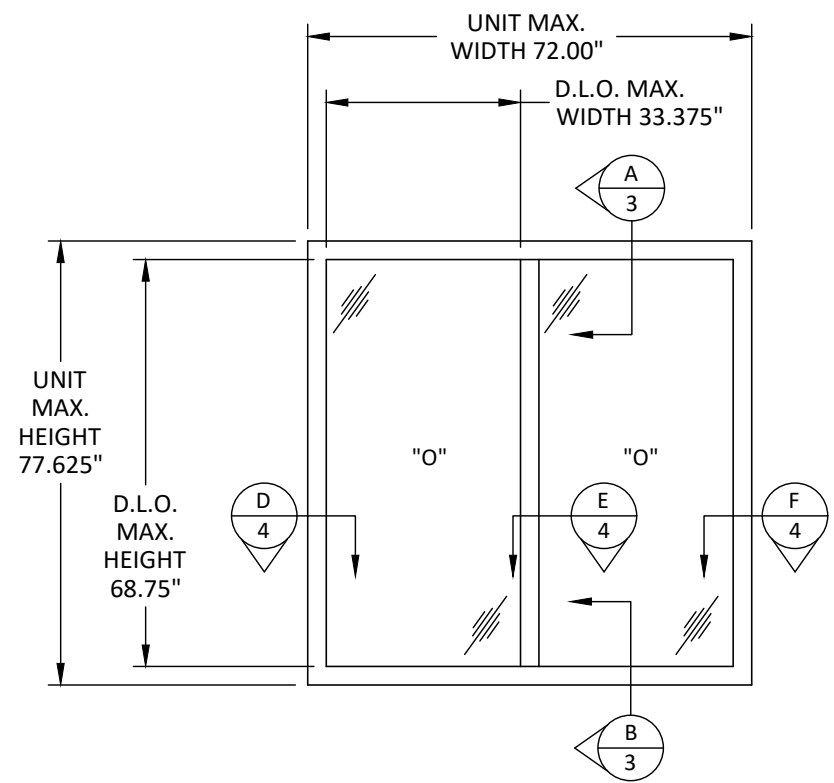
SHEET:

**1**

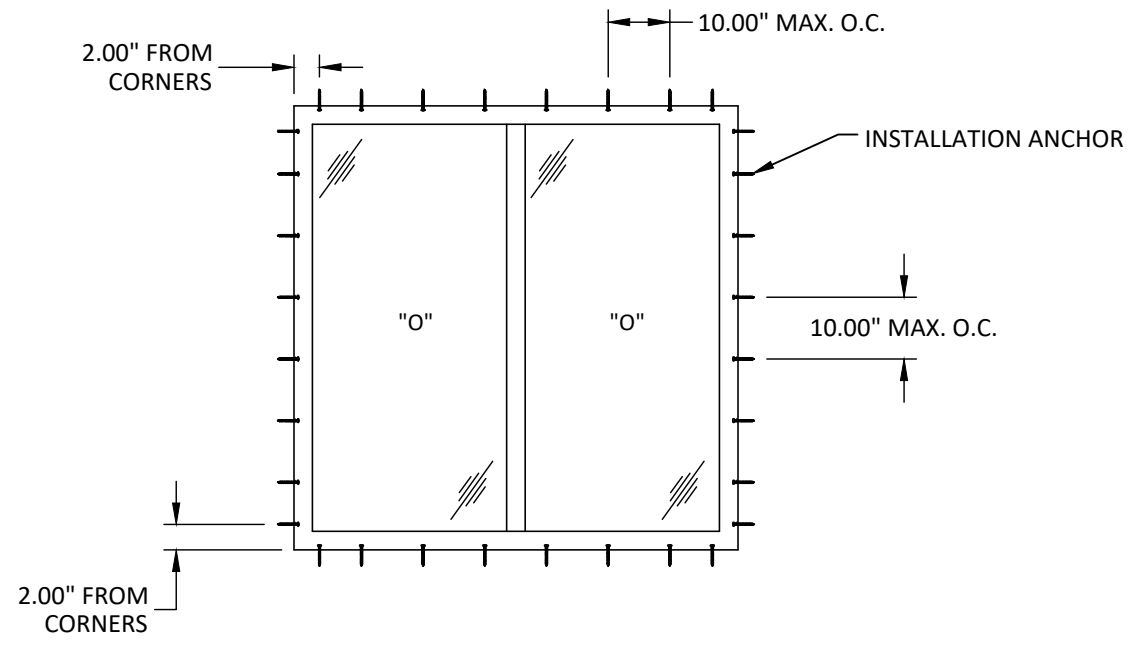
OF 5

12/21/2023 3:50 PM  
z:\projects\quaker\_window\_products\cc-23-1113 - fbc 2023 code change\dwg\15857\qwp018 - fbc23.dwg

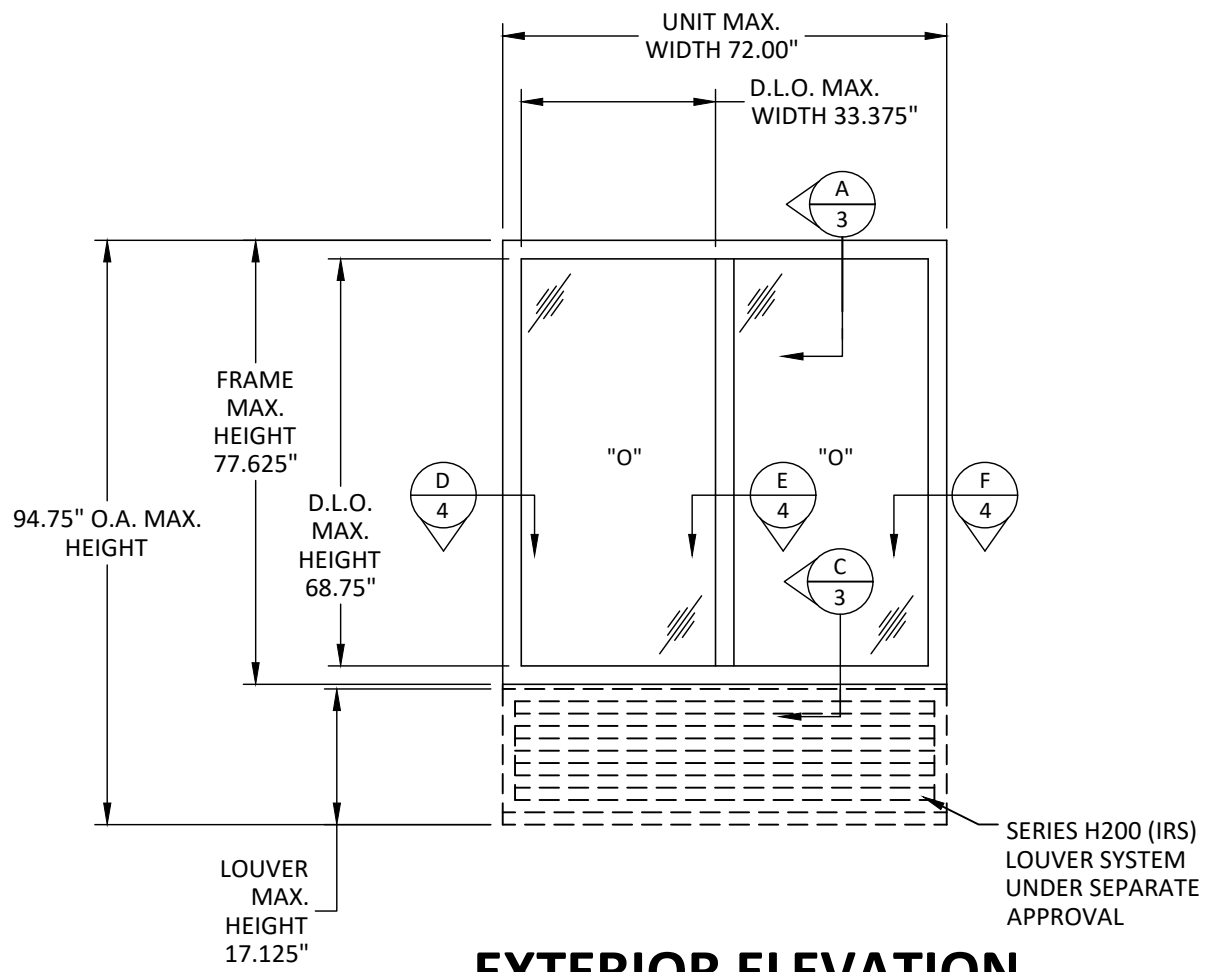
12/21/2023 3:50 PM



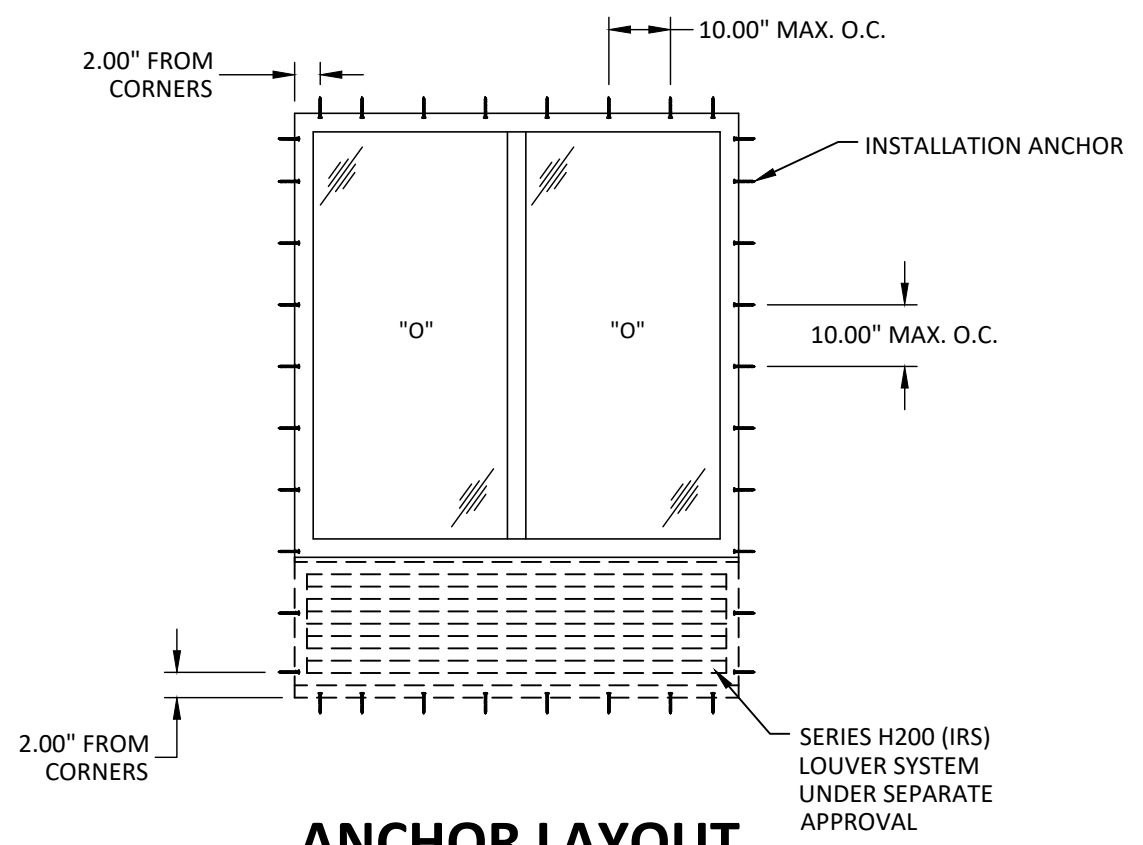
**EXTERIOR ELEVATION**



**ANCHOR LAYOUT**



**EXTERIOR ELEVATION  
WITH LOUVER**



**ANCHOR LAYOUT  
WITH LOUVER**



504 HIGHWAY 63 SOUTH  
FREEBURG, MO 65582  
PH: (651) 264-5150 FX: (651) 264-5485

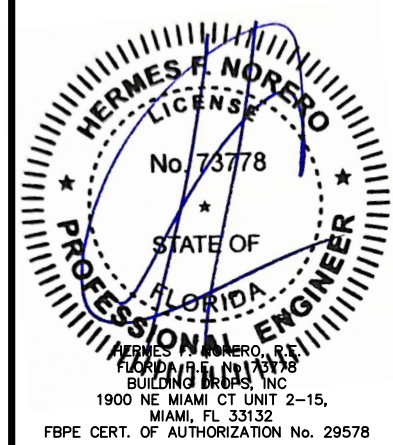
TITLE: SERIES 340 (E700) FIXED WINDOW (WZ4)(IMPACT) ELEVATION & ANCHOR LAYOUTS

PREPARED BY: BUILDING DROPS, INC.  
1900 NE Miami Ct Unit 2-15, Miami, FL 33132  
PH: (954) 399-8478 FAX: (954) 744-4738  
WEB: www.buildingdrops.com



REMARKS	BY	DATE
6TH ED. FBC UPDATE	HR	06/17
7TH ED. FBC UPDATE	LL	01/21
8TH ED. FBC UPDATE	FB	12/23

THE INSTALLATION DETAILS DESCRIBED HEREIN ARE GENERIC AND MAY NOT REFLECT ACTUAL CONDITIONS FOR A SPECIFIC SITE. IF SITE CONDITIONS CAUSE INSTALLATION TO DEVIATE FROM THE REQUIREMENTS DETAILED HEREIN, A LICENSED ENGINEER OR ARCHITECT SHALL PREPARE SITE SPECIFIC DOCUMENTS FOR USE WITH THIS DOCUMENT.



FL #: **FL15857**

DATE: **07.17.12**

DWG. BY: **MSS** CHK. BY: **HFN**

SCALE: **NTS**

DWG. #: **QWP018**

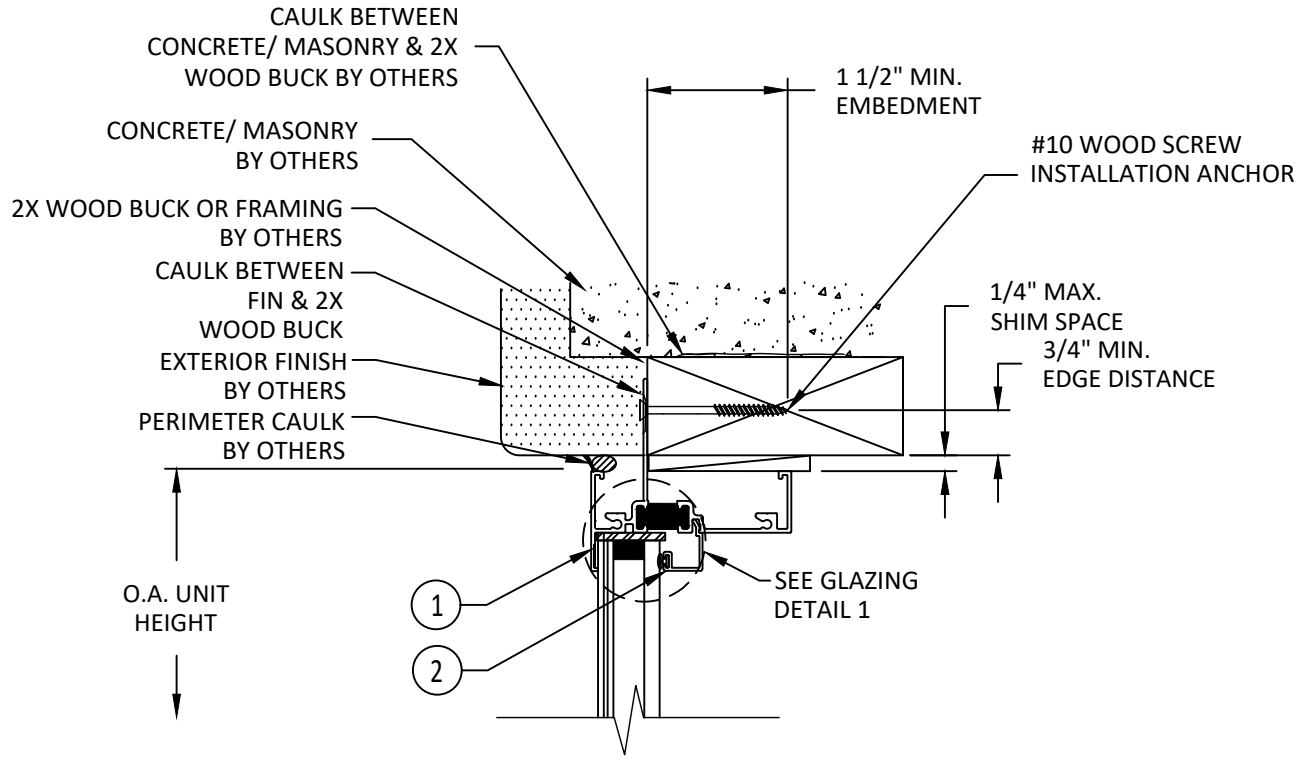
SHEET:

**2**

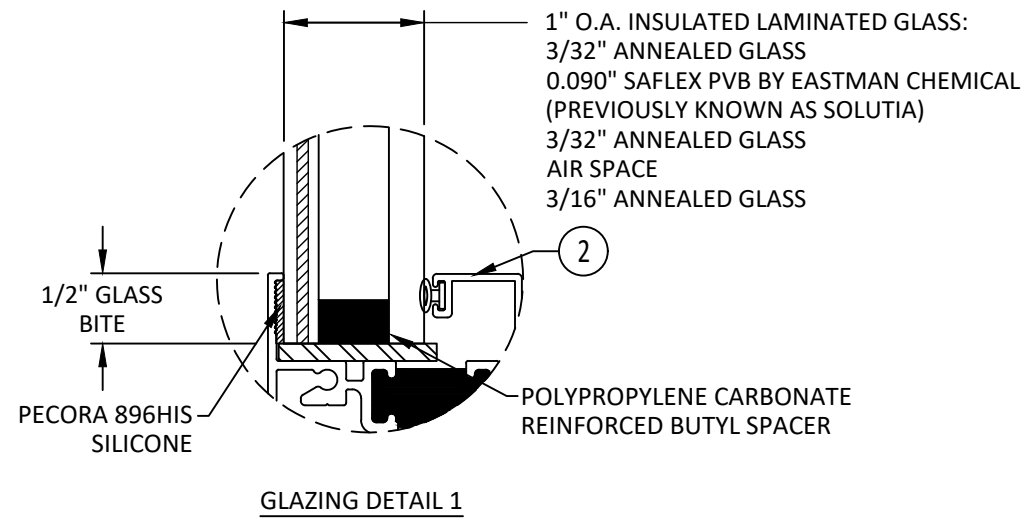
OF 5

z:\projects\quaker\_window\_products\cc-23-1113 - fbc 2023 code change\dwg\115857\qwp018 - fbc23.dwg

12/21/2023 3:50 PM

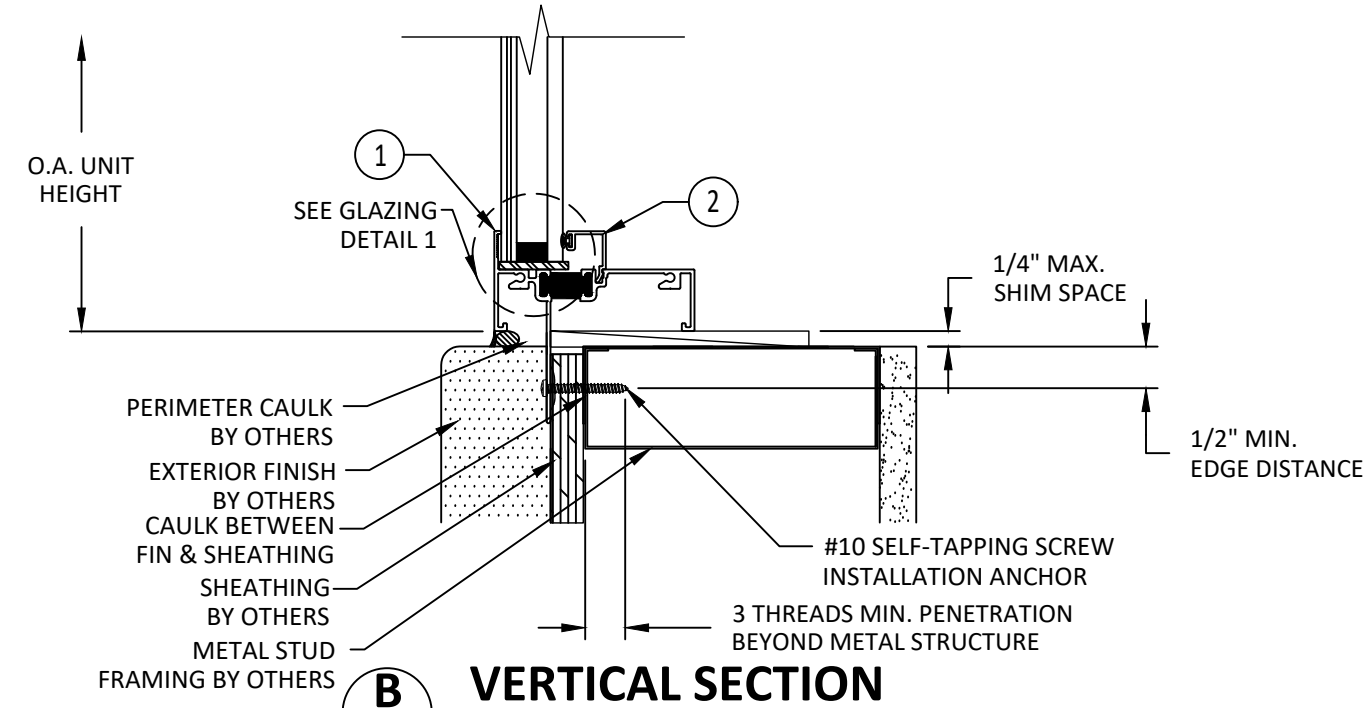


**A**  
**3** **VERTICAL SECTION**  
HEAD - 2X WOOD BUCK

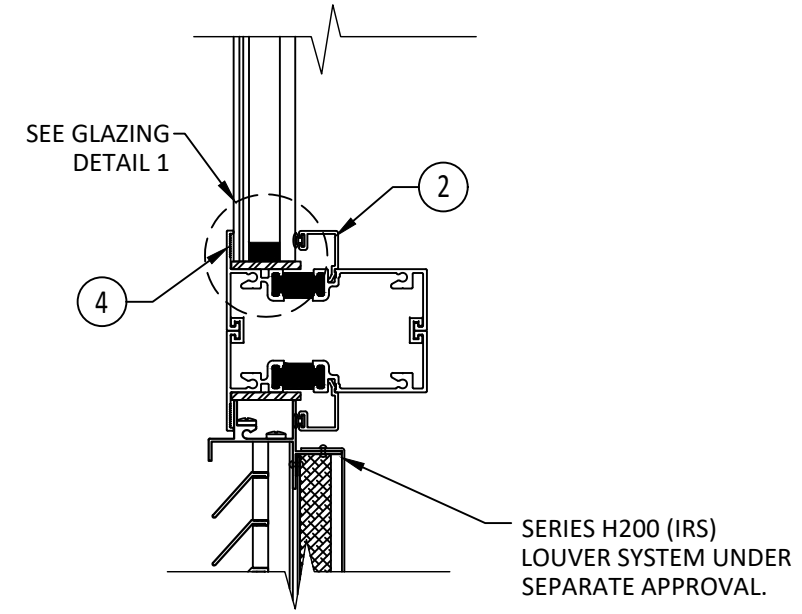


**GLAZING DETAIL 1**

- GLAZING NOTES:**
1. GLASS TYPE COMPLIES WITH ASTM E1300 REQUIREMENTS.
  2. SETTING BLOCKS TO BE LOCATED AT 1/4 SPAN LENGTH FOR GLASS WIDER THAN 36" AS PER FBC CHAPTER 24.
  3. SETTING BLOCK DUROMETER HARDNESS OF 70-90 (SHORE A) AS REFERENCED IN FBC CHAPTER 24.
  4. GLASS TYPE SHALL COMPLY WITH APPLICABLE GLAZING REQUIREMENTS PER CHAPTER 24 OF THE FBC



**B**  
**3** **VERTICAL SECTION**  
SILL - METAL STUD



**C**  
**3** **VERTICAL SECTION**  
MULLION  
PICTURE WINDOW/LOUVER

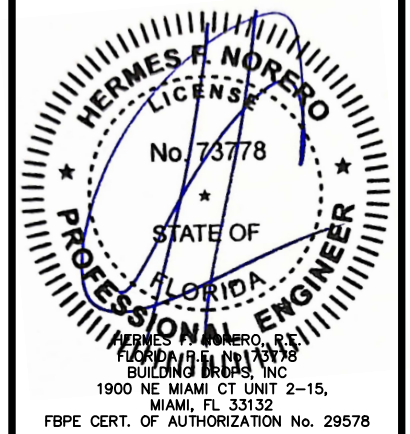
TITLE: **SERIES 340 (E700) FIXED WINDOW (WZ4)(IMPACT) VERTICAL SECTIONS & GLAZING DETAIL**

PREPARED BY: **BUILDING DROPS, INC.**  
1900 NE Miami Ct Unit 2-15,  
Miami, FL 33132  
PH: (954) 399-8478  
FAX: (954) 744-4738  
WEB: www.buildingdrops.com



REMARKS	BY	DATE
6TH ED. FBC UPDATE	HR	06/17
7TH ED. FBC UPDATE	LL	01/21
8TH ED. FBC UPDATE	FB	12/23

THE INSTALLATION DETAILS DESCRIBED HEREIN ARE GENERIC AND MAY NOT REFLECT ACTUAL CONDITIONS FOR A SPECIFIC SITE. IF SITE CONDITIONS CAUSE INSTALLATION TO DEVIATE FROM THE REQUIREMENTS DETAILED HEREIN, A LICENSED ENGINEER OR ARCHITECT SHALL PREPARE SITE SPECIFIC DOCUMENTS FOR USE WITH THIS DOCUMENT.



FL #: **FL15857**

DATE: **07.17.12**

DWG. BY: <b>MSS</b>	CHK. BY: <b>HFN</b>
---------------------	---------------------

SCALE: **NTS**

DWG. #: **QWP018**

SHEET: **3**  
OF 5

z:\projects\quaker window products\cc-23-1113 - fbc 2023 code change\dwgs\01-5857\qwp018 - fbc23.dwg

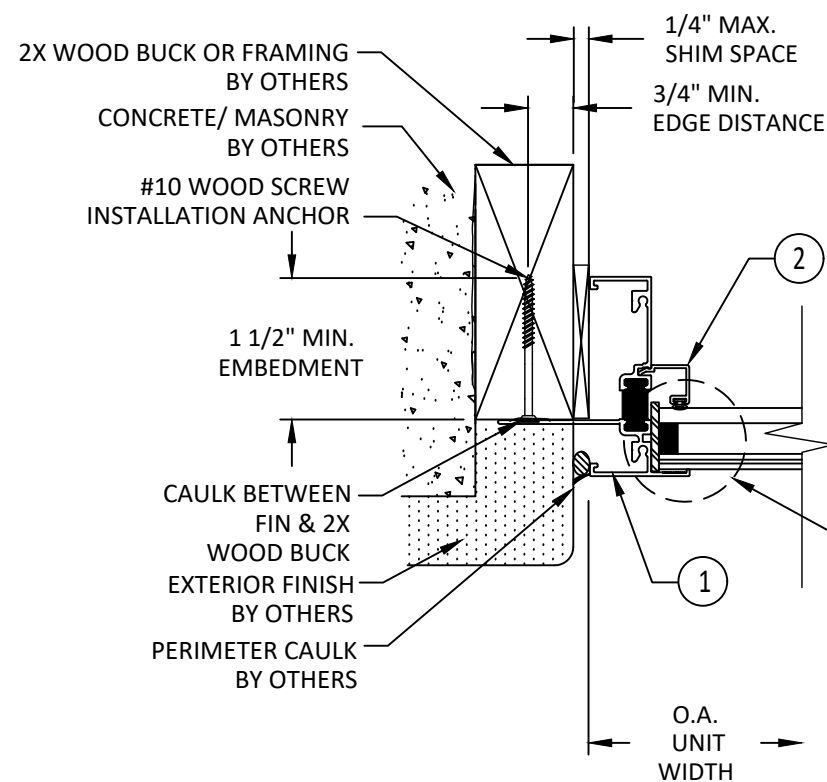
z:\projects\quaker\_window\_products\cc-23-1113 - fbc 2023 code change\dwg\15857\qwp018 - fbc23.dwg



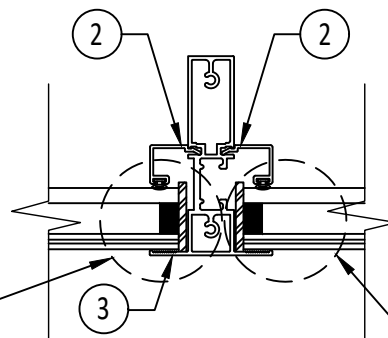
504 HIGHWAY 63 SOUTH  
FREEBURG, MO 65582  
PH: (651) 264-5150 FX: (651) 264-5485

TITLE: SERIES 340 (E700) FIXED WINDOW (WZ4)(IMPACT) HORIZONTAL SECTIONS

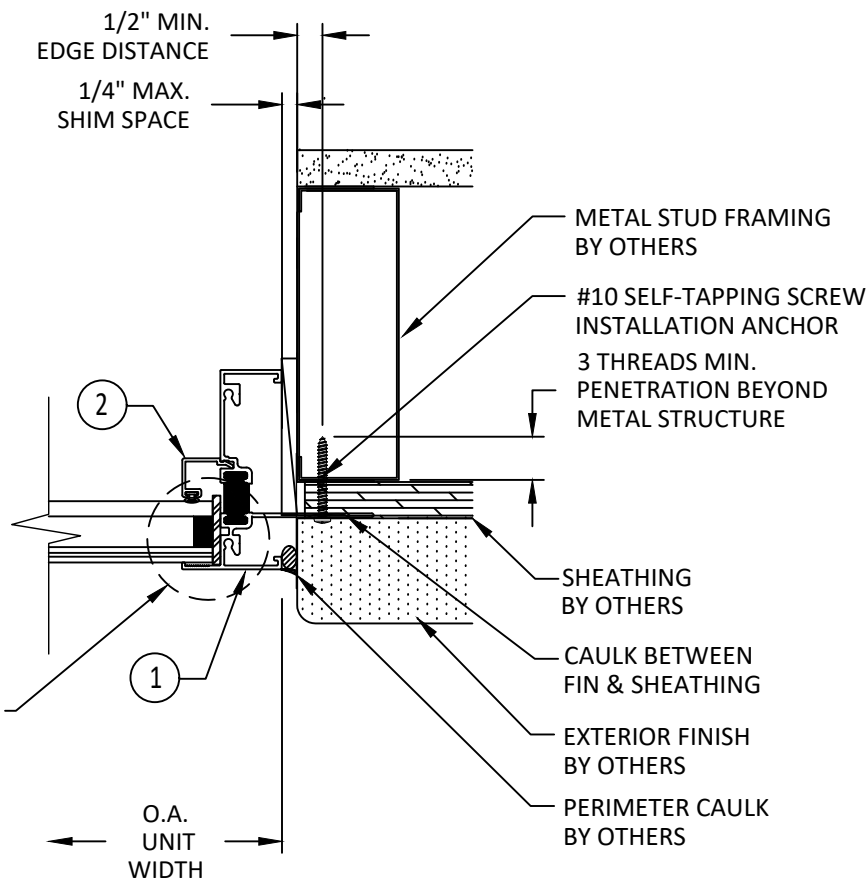
PREPARED BY: BUILDING DROPS, INC.  
1900 NE Miami Ct Unit 2-15, Miami, FL 33132  
PH: (954)399-8478 FAX: (954)744-4738 WEB: www.buildingdrops.com



**D** HORIZONTAL SECTION  
4 JAMB - 2X WOOD BUCK



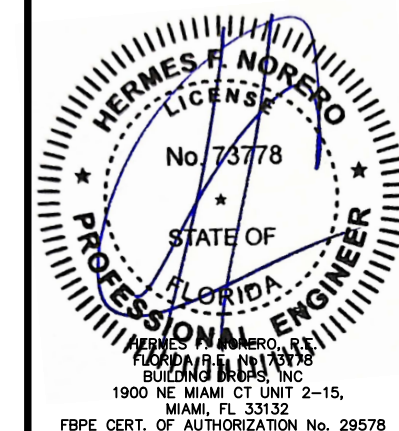
**E** HORIZONTAL SECTION  
4 MULLION



**F** HORIZONTAL SECTION  
4 JAMB - METAL STUD

REMARKS	BY	DATE
6TH ED. FBC UPDATE	HR	06/17
7TH ED. FBC UPDATE	LL	01/21
8TH ED. FBC UPDATE	FB	12/23

THE INSTALLATION DETAILS DESCRIBED HEREIN ARE GENERIC AND MAY NOT REFLECT ACTUAL CONDITIONS FOR A SPECIFIC SITE. IF SITE CONDITIONS CAUSE INSTALLATION TO DEVIATE FROM THE REQUIREMENTS DETAILED HEREIN, A LICENSED ENGINEER OR ARCHITECT SHALL PREPARE SITE SPECIFIC DOCUMENTS FOR USE WITH THIS DOCUMENT.



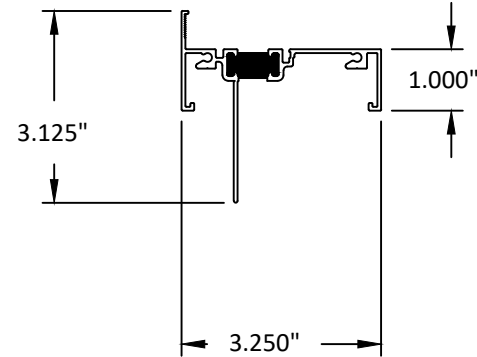
FL #:	<b>FL15857</b>
DATE:	<b>07.17.12</b>
DWG. BY:	<b>MSS</b>
CHK. BY:	<b>HFN</b>
SCALE:	<b>NTS</b>
DWG. #:	<b>QWP018</b>
SHEET:	<b>4</b>



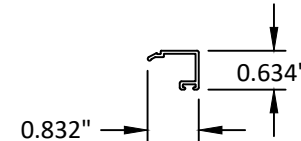
12/21/2023 3:50 PM  
 z:\projects\quaker\_window\_products\cc-23-1113 - fbc 2023 code change\dwgs\015857\qwp018 - fbc23.dwg

BILL OF MATERIALS			
NO.	DESCRIPTION	MATERIAL	MANUFACTURER
1	FIXED WINDOW FRAME	ALUMINUM 6063-T6	QUAKER
2	GLAZING STOP	ALUMINUM 6063-T6	QUAKER
3	MULLION	ALUMINUM 6063-T6	QUAKER
4	MULLED FRAME	ALUMINUM 6063-T6	QUAKER

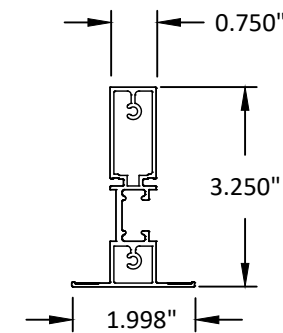
**1** FRAME- HEAD,SILL & JAMB  
 6063-T6 ALUMINUM  
 TYPICAL WALL THICKNESS: 0.062"



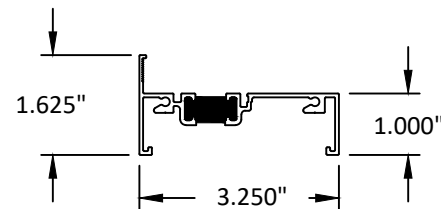
**2** GLAZING STOP  
 6063-T6 ALUMINUM  
 TYPICAL WALL THICKNESS: 0.062"



**3** MULLION  
 6063-T6 ALUMINUM  
 TYPICAL WALL THICKNESS: 0.062"



**4** MULLED FRAME  
 6063-T6 ALUMINUM  
 TYP. WALL THICKNESS: 0.062"



504 HIGHWAY 63 SOUTH  
 FREEBURG, MO 65582  
 PH: (651) 264-5150 FX: (651) 264-5485

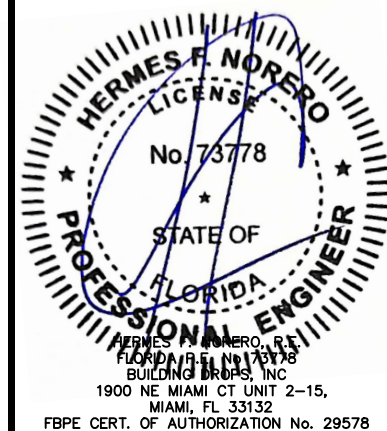
TITLE: SERIES 340 (E700) FIXED WINDOW (WZ4)(IMPACT)  
 BILL OF MATERIALS & COMPONENTS

PREPARED BY:  
**BUILDING DROPS, INC.**  
 1900 NE Miami Ct Unit 2-15,  
 Miami, FL 33132  
 PH: (954) 399-8478  
 FAX: (954) 744-4738  
 WEB: www.buildingdrops.com



REMARKS	BY	DATE
6TH ED. FBC UPDATE	HR	06/17
7TH ED. FBC UPDATE	LL	01/21
8TH ED. FBC UPDATE	FB	12/23

THE INSTALLATION DETAILS DESCRIBED HEREIN ARE GENERIC AND MAY NOT REFLECT ACTUAL CONDITIONS FOR A SPECIFIC SITE. IF SITE CONDITIONS CAUSE INSTALLATION TO DEVIATE FROM THE REQUIREMENTS DETAILED HEREIN, A LICENSED ENGINEER OR ARCHITECT SHALL PREPARE SITE SPECIFIC DOCUMENTS FOR USE WITH THIS DOCUMENT.



FL #: **FL15857**

DATE: **07.17.12**

DWG. BY: **MSS** CHK. BY: **HFN**

SCALE: **NTS**

DWG. #: **QWP018**

SHEET:

**5**

OF 5